



Rental Service

**Sany 43 M Truck-Mounted Concrete Pump
(SYG5310THB 43)**

THE ESSENCE OF SANY PRODUCT LIES IN ITS HIGH RELIABILITY

Unvaryingly excellent performance in key projects across China and the Globe



- 5 sections R form Boom
- X outrigger, easy and fast operation, OSS function
- High performance SYMC control unit and fine definition SYLD display
- Automatic retraction of concrete piston, easy replacement and maintenance friendly
- Electro-hydraulic buffer, differential pressure induction, open loop hydraulic system, low operation temperature; less impact and high reliability.



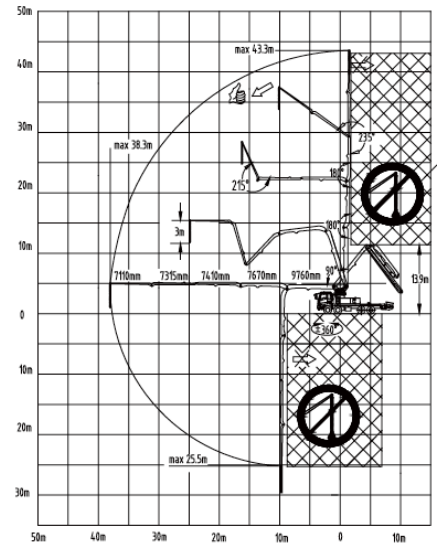
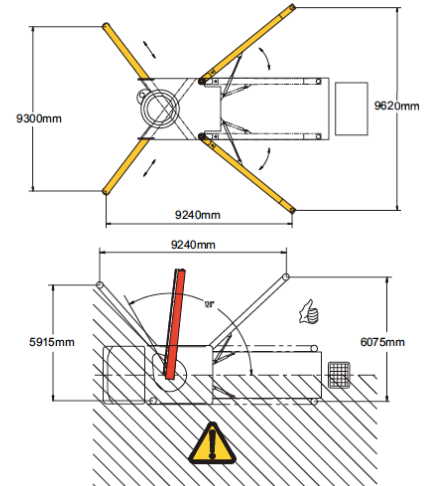
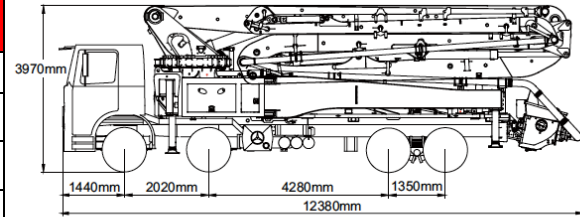
Sdn. Bhd. (516839-A)

No. 19, Jln Curamasami
Off Jln Ipoh, K.L 51200

Mobile : 012 - 3358 056

Technical Specifications

MODEL		SYG51310THB 43	
OVERALL SPECIFICATION	LENGTH	11995 mm	
	WIDTH	2500 mm	
	HEIGHT	3990 mm	
	TOTAL WEIGHT	32450 kg	
Boom & Outrigger Specification	VERTICAL REACH	43.2 M	
	HORIZONTAL REACH	38.2 M	
	REACH DEPTH	25.5 M	
	MINIMUM UNFOLDING REACH	13.9 M	
	ARM1	LENGTH	9760 mm
		ANGLE	90°
	ARM2	LENGTH	7670 mm
		ANGLE	180°
	ARM3	LENGTH	7410 mm
		ANGLE	180°
	ARM4	LENGTH	7315 mm
		ANGLE	235°
	ARM5	LENGTH	6930 mm
		ANGLE	215°
SLEWING CIRCLE		±360°	
OUTRIGGER SPREAD L-R (FRONT)		9300 mm	
OUTRIGGER SPREAD L-R (REAR)		9620 mm	
Pumping System Specification	OUTPUT	LOW PRESSURE	170 M ³ / H
		HIGH PRESSURE	120 M ³ / H
	PRESSURE	LOW PRESSURE	8.3 MPa
		HIGH PRESSURE	12 MPa
	MAX. STROKES	LOW PRESSURE	29 Times / min
		HIGH PRESSURE	19 Times / min
	DELIVERY CYLINDER DIAMETER		260 mm
	DELIVERY CYLINDER STROKE		1900 mm
	HYDRAULIC SYSTEM		Open Loop
	HYDRAULIC SYSTEM OIL PRESSURE		32 Mpa
	OIL TANK CAPACITY		680 L
	WATER TANK CAPACITY		620 L
	PIPELINE SIZE		125 mm
	END HOSE LENGTH		3 M
END HOSE DIAMETER		125 mm	



No. 19, Jln Curamasami
Off Jln Ipoh, K.L 51200

Mobile : 012 - 3358 056