



# Rental Service

## Sany 37M Truck-Mounted Concrete Pump (SYG5260THB 37)

### THE ESSENCE OF SANY PRODUCT LIES IN ITS HIGH RELIABILITY

Unvaryingly excellent performance in key projects across China and the Globe



Sdn. Bhd. (516839-A)

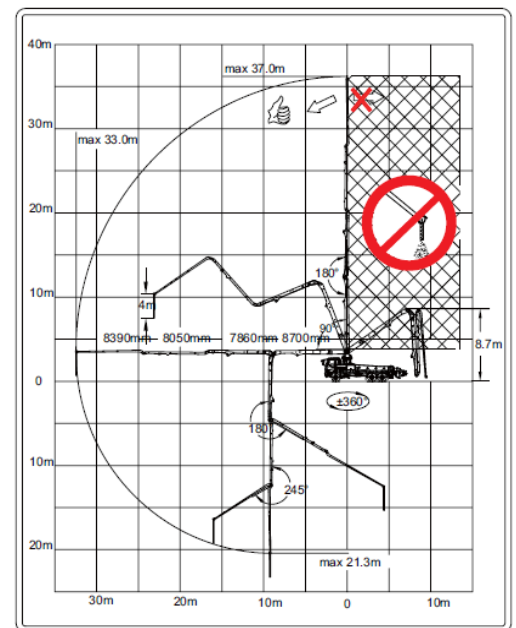
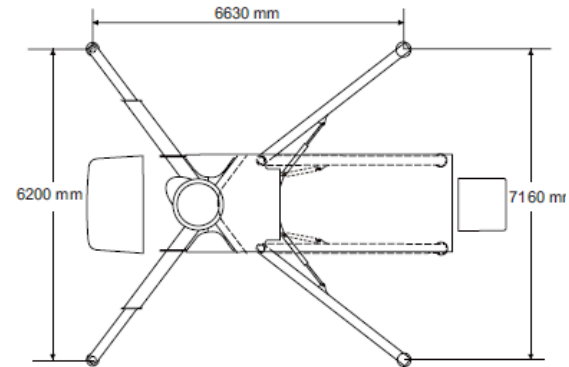
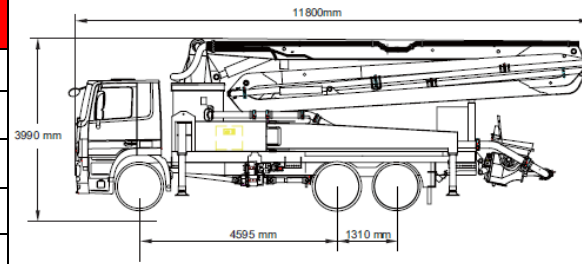
No. 19, Jln Curamasami  
Off Jln Ipoh, K.L 51200

Mobile : 012 - 3358 056  
Tel / Fax : +603-6252 6979

- 4 sections R form Boom
- X outrigger, easy and fast operation, OSS function
- High performance SYMC control unit and fine definition SYLD display
- Automatic retraction of concrete piston, easy replacement and maintenance friendly
- Electro-hydraulic buffer, differential pressure induction, open loop hydraulic system, low operation temperature; less impact and high reliability.

# Technical Specifications

MODEL		SYG5260THB 37	
OVERROLL SPECIFICATION	LENGTH	11800MM	
	WIDTH	2500MM	
	HEIGHT	3990MM	
	TOTAL WEIGHT	27495KG	
Boom & Outrigger Specification	VERTICAL REACH	37.0M	
	HORIZONTAL REACH	33.0M	
	REACH DEPTH	21.3M	
	MINIMUM UNFOLDING REACH	8.3M	
	ARM1	LENGTH	8700MM
		ANGLE	90°
	ARM2	LENGTH	7860MM
		ANGLE	180°
	ARM3	LENGTH	8050MM
		ANGLE	180°
	ARM4	LENGTH	8390MM
		ANGLE	245°
	ARM5	LENGTH	-
		ANGLE	-
SLEWING CIRCLE		±360°	
OUTRIGGER SPREAD L-R (FRONT)		6200MM	
OUTRIGGER SPREAD L-R (REAR)		760MM	
Pumping System Specification	OUTPUT	LOW PRESSURE	140 M <sup>3</sup> /H
		HIGH PRESSURE	100 M <sup>3</sup> /H
	PRESSURE	LOW PRESSURE	8.3 MPa
		HIGH PRESSURE	120MPa
	MAX. STROKES	LOW PRESSURE	22 TIMES/MIN
		HIGH PRESSURE	15.5 TIMES/MIN
	DELIVERY CYLINDER DIAMETER		260MM
	DELIVERY CYLINDER STROKE		2000MM
	HYDRAULIC SYSTEM		Open Loop
	HYDRAULIC SYSTEM OIL PRESSURE		32 Mpa
	OIL TANK CAPACITY		900 L
	WATER TANK CAPACITY		600 l
	PIPELINE SIZE		125MM
	END HOSE LENGTH		3M
END HOSE DIAMETER		125MM	



No. 19, Jln Curamasami  
Off Jln Ipoh, K.L 51200

Mobile : 012 - 3358 056  
Tel / Fax : 603-6252 6979